

Grip Strip

Reglin Rubber Grip Strip is a premium grade flexible rubber profile designed to clamp rubber dust sealing cloth to seal equipment for dust encapsulation.

FEATURES

Grip Strip is made from a premium EPDM rubber compound. It has excellent physical properties and will display good UV resistance making it weather resistant and suitable for outdoor use.

Grip Strip is designed to clamp Rubber Dust Sealing Cloth onto a 10mm steel round bar which is mounted on equipment structures. This creates a totally encapsulated dust sealing system that allows for movement between different parts of equipment.

Grip Strip is resilient and can be removed and reinstalled multiple times to allow for inspections or when rubber dust sealing cloth replacement is required.

Grip strip is available in straight lengths or pre-formed corners for use on bends.



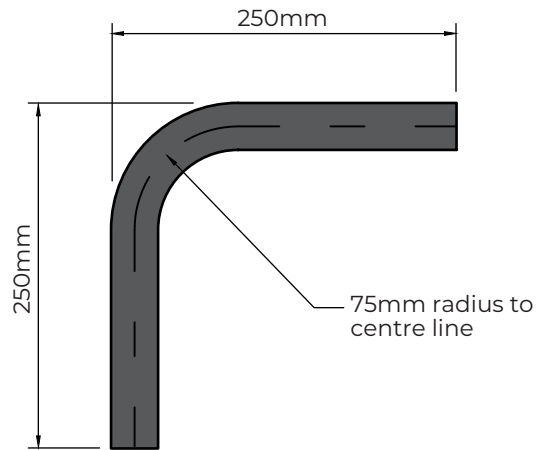
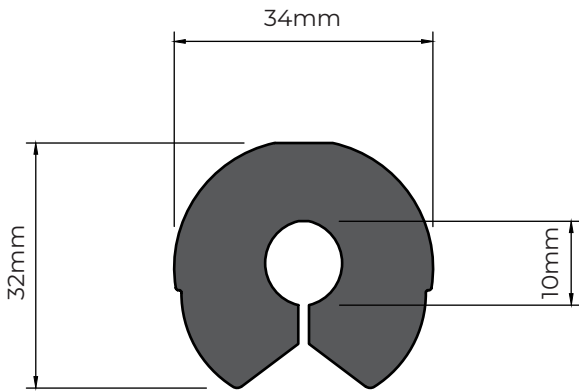
TECHNICAL INFORMATION

Polymer	EPDM	
Colour	Black	
Specific Gravity	1.20	ASTM D297
Hardness	70° ± 5° Shore A	ASTM D2240
Tensile Strength	10 MPa (min)	ASTM D412
Elongation @ Break	400% (min)	ASTM D412
Temperature Range	-30°C to + 100°C	

AVAILABLE SIZES

PART NO.	SIZE	WEIGHT
GS10-07	Grip Strip Strait (7 L/M Rolls)	1 kg (per L/M)
GS10-20	Grip Strip Strait (20 L/M Rolls)	1 kg (per L/M)
GS10IG	Grip strip Corner 250mm x 250mm (Inside Groove)	0.4 kgs (each)
GS10OG	Grip strip Corner 250mm x 250mm (Outside Groove)	0.4 kgs (each)
GS10UG	Grip strip Corner 250mm x 250mm (Underside Groove)	0.4 kgs (each)

PROFILE & DIMENSIONS



CORNER TYPES



TYPICAL ASSEMBLY

