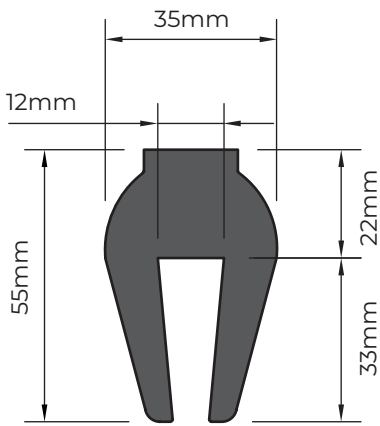
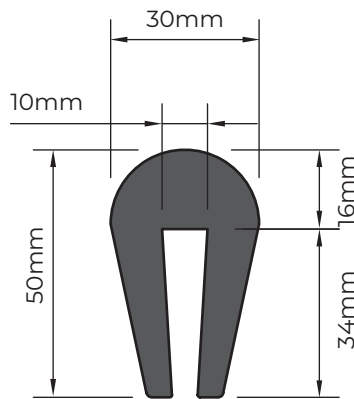


Capping Rubber

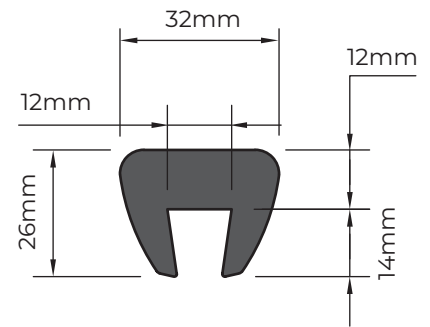
PROFILE DRAWINGS



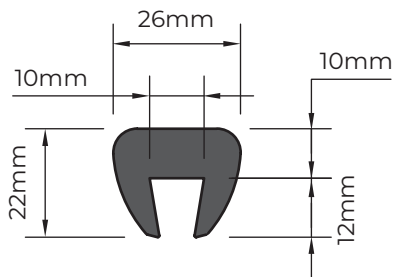
PART NO. CR01



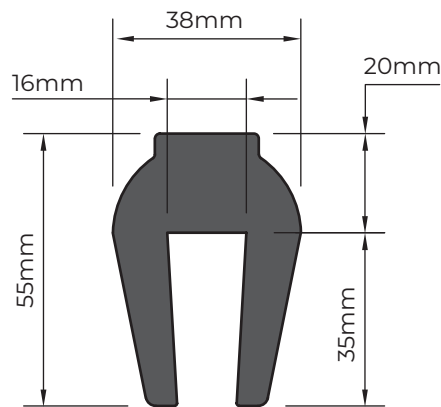
PART NO. CR02



PART NO. CR05



PART NO. CR06



PART NO. CR07